



a supporter of



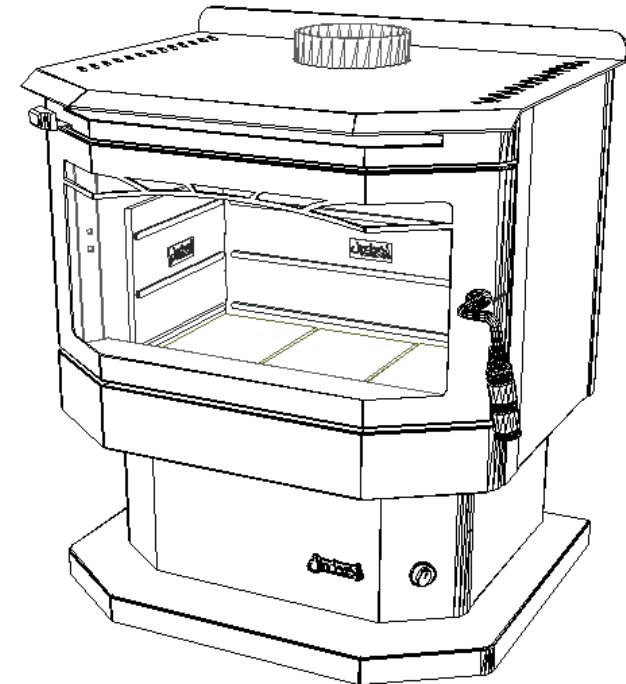
ISO 9001 QEC 5671  
STANDARDS AUSTRALIA



# OPERATING & INSTALLATION INSTRUCTIONS FOR PEDESTAL & INSERT JINDARA WOODHEATERS



**JINDARA HEATING**  
A DIVISION OF A.F GASON P/L  
ABN 31004667556  
BLAKE STREET ARARAT 3377  
Tel: (03) 5352 2151 OR EMAIL US VIA  
"CONTACT US" SECTION OF OUR WEBSITE :  
[www.gason.com.au](http://www.gason.com.au)



**JINDARA HEATING  
WARRANTY AGREEMENT**  
**QUALITY THROUGH INTEGRITY**

212975  
rev B

**TABLE OF CONTENTS**

SAFETY PRECAUTIONS

INSTALLATION OF PEDESTAL MODELS

INSTALLATION OF PEDESTAL MODELS

INSTALLATION OF INSERT MODELS  
MANTLEPIECE  
HEARTH

BAFFLE PLATE LOCATION - ALL MODELS

CAST IRON LINERS

FIRE BRICKS

CONTROLS  
AIR SLIDE  
FAN SWITCH

LIGHTING YOUR FIRE

BREAK-IN PERIOD

GENERAL OPERATION

OVERNIGHT BURN

DOOR GLASS

DOOR GASKET

FAN SERVICE

CLEANING OF FIRE BOX

DOOR HANDLE ADJUSTMENT

JINDARA HEATING WOODSTOVE & FIREPLACE INSERT  
WARRANTY

JINDARA PTY LTD  
WOODSTOVE & FIREPLACE INSERT WARRANTY

1. Subject to clauses 2 & 3 of this warranty, A.F. Gason Pty Ltd ACN 004 667 556 (Gason) warrants the following components of its heaters against defects in workmanship and/or materials for the following periods from the date of purchase:

- (a) the firebox for ten years;
- (b) the paint finish for a period of twelve months if the purchaser has followed the instructions provided by Gason in this Operation and Installation Instructions manual; and
- (c) all other components for twelve months except the glass, fire brick lining or baffle plate if, in the opinion of Gason, these items have been damaged by impact.

2. This extended warranty does not apply:

- (a) if the heater is purchased from a person who has not been authorised by Gason to sell its products;
- (b) if, in the opinion of Gason, the heater or any component has been subjected to abuse, misuse, alteration, modification or has not been installed, operated or maintained in accordance with the instructions provided by Gason; or
- (c) to owners other than the original purchaser.

3. If you believe that the heater you purchased contains a manufacturing defect and you wish to make a claim under this warranty, please contact an authorised Gason service centre to arrange for an assessment.

4. If, after assessing the heater, Gason determines that the heater contains a manufacturing fault, Gason may at its discretion:

- (a) replace the heater;
- (b) repair or replace specific components of the heater; or
- (c) provide a full refund.

5. Parts replaced under this warranty are warranted for the balance of their original warranty period.

6. If, at the discretion of Gason, the heater or any part needs to be replaced, serviced or repaired at an authorised Gason service centre, then the person claiming under this warranty must pay all costs associated with:

- (a) returning the heater; and
- (b) the delivery or collection of any new or repaired heater.

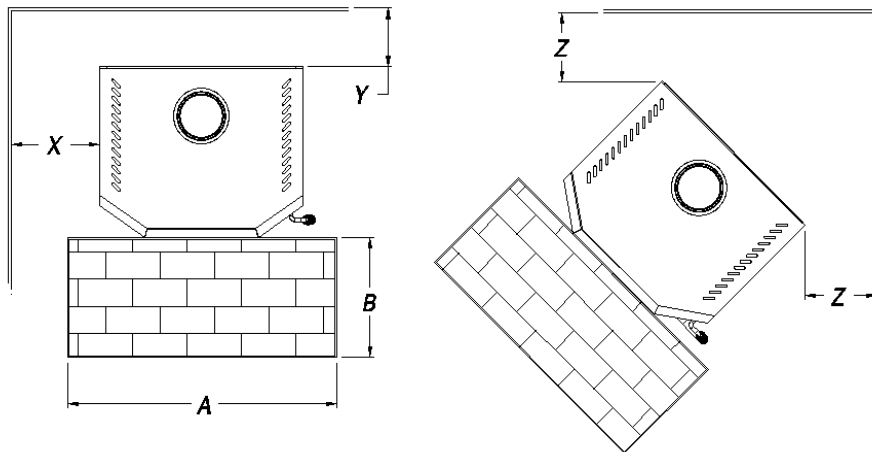
Our goods come with guarantees that cannot be excluded under the Australian Consumer Law. You are entitled to a replacement or refund for a major failure and for compensation for any other reasonably foreseeable loss or damage. You are also entitled to have the goods repaired or replaced if the goods fail to be of acceptable quality and the failure does not amount to a major failure. Any benefits you receive under these warranties are in addition to other rights and remedies that you may have as a consumer under a law in relation to the heater to which these warranties relate. These warranties are given by:

A.F. Gason Pty Ltd  
Blake Street  
Ararat VIC 3322  
Please contact us if you have any queries on:  
Phone: 03 5352 2151;  
or email us via the "Contact Us" section of our website: [www.gason.com.au](http://www.gason.com.au).

## INSTALLATION OF PEDESTAL MODELS

Your Jindara Pedestal Heater installation must conform to Australian Standards AS 2918 – 1990, and be clear of combustibles as shown below. Currently for installation with Flomet Super Single flue system with a full-length half radius perforated mesh flue shield.

### BAY WINDOW MODELS



	X	Y	Z	A	B
<b>FLINDERS</b>	300	150	100	1100	450
<b>STIRLING</b>	300	150	100	950	400

**Note;** Hearth requirements shown are a guide only, installation must meet or exceed the recommended minimum requirement listed in the table above.

## FAN SERVICE

The fan motor bearings are factory lubricated for years of trouble free operation. However, damage can occur if dust or lint builds up in blades. Therefore the fan assembly should be inspected and cleaned each year.

1. Turn power off and disconnect power lead.
2. Remove the screws in inspection panel in front of pedestal model, or front bottom grille on insert model after removal of fan speed knob.
3. Brush or vacuum fan blades taking care not to damage the finely balanced blades.
4. Refit front panels and respective components.
5. Plug in power lead and turn on.

## CLEANING OF FIRE BOX

Ash should be cleared or removed when build up reaches the level of the door opening.

To clean use a metal fireplace shovel making sure all deposits are cold first.

Do not place hot ashes in plastic buckets or wheelie bins.

## DOOR HANDLE ADJUSTMENT

When the door gasket becomes loose and leaking occurs it is necessary to adjust the door handle.

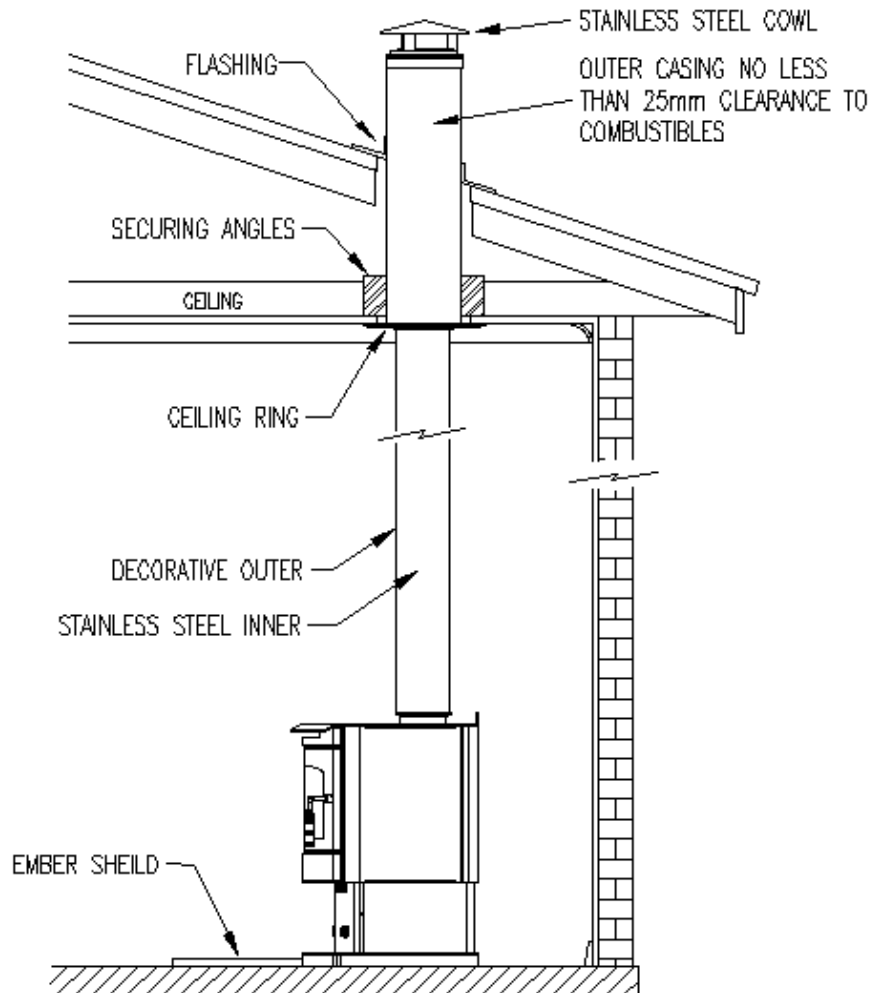
1. Make sure the heater is cold.
2. Open Door.
3. Undo M-20 Lock nut, Roll pin may need to be off set on HAMERSLEY, KIMBERLEY, PILBARA models.
4. Unscrew Philips head screw in door handle shaft.
5. Rotate handle shaft anti-clockwise  
1 Turn = 1 Millimetre
6. Replace M-20 Lock nut.
7. Close door and lock.
8. Try for seal.
9. Replace Phillips head screw.

**NOTE:** Check that roll pin is central in shaft.

## SAFETY PRECAUTIONS

1. It is important that this heater be installed to the specifications and clearances listed on the compliance plate to ensure **your safety**. Variances from these specifications will void your warranty and a **serious house fire may result**.
2. Your heater must be installed with the recommended flue system to ensure compliance with the relevant Australian Standards.
3. **Never** use flammable liquids such as petrol, kerosine or diesel. Always use firelighters to light your fire.
4. **Never** place wood, paper, clothes, furniture, clothes airers etc near heater.
5. **Do Not** burn rubbish or treated wood as fumes could be dangerous to your health and the health of your neighbours.
6. **Do Not** burn green or wet wood this will reduce the efficiency of your heater and could cause a **dangerous flue fire**.
7. **Do Not** over fire the heater. Always operate with the door in the closed position.
8. **Only** install **Insert Models** into masonry brick fireplaces. Do not obstruct the air inlet of insert models at floor level.
9. **Jindara heating** accepts no liability whatsoever for interpretation of AS 2918 – 1990.
10. **WARNING:** The heater must not be operated without the ember shield installed (refer diagram of pedestal installation) as heat radiation from the glass door may cause burning of floor surfaces.

## PEDESTAL INSTALLATION



## GENERAL OPERATION

After heater has been burning on high for approximately 20 to 30 minutes it will have reached operating temperature. You can now slow the burn down, if required, by adjusting the air slide towards the closed position. Turn the fan on to the preferred speed setting.

When refueling, open the air slide, wait a few seconds, open the door slowly and add new fuel. After re-loading, leave air slide open, on high, for 15 to 20 minutes to allow new fuel to catch freely.

After this re-adjust air slide to desired setting for maximum efficiency. If fire is too small, refuelling first with kindling is advised.

## OVERNIGHT BURN

To obtain an overnight burn. An hour before retiring.

**Step One** Open air slide fully.

**Step Two** Load firebox with large pieces of dry firewood.

**Step Three** When all wood is fully alight, slowly adjust air slide to low position.  
(This will take approximately 45 minutes)

**Step Four** Turn fan to OFF position.

**Note:** This procedure can be done at any time. For example, in the morning so the fire is still going after work.

## DOOR GLASS

Inspect door glass regularly for cracks and breaks. If one is found extinguish fire immediately and replace glass. Contact your Jindara dealer for replacement.

Should your glass become smoky or stained it can be cleaned with glass cleaner. After using glass cleaner ensure that any residue of glass cleaner is removed from door glass area.

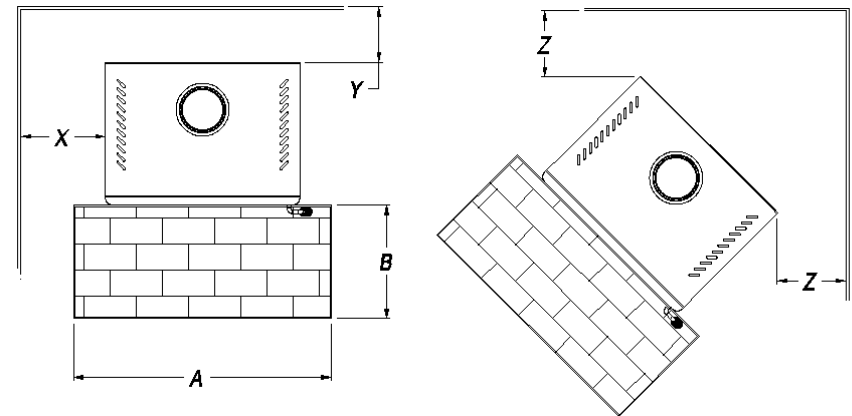
## DOOR GASKET

Check the door gasket for proper seal, wear or damage. Door gaskets compress and it would necessary to adjust or tighten the door latch.<sup>1</sup>

Replacement gasket is available from your Jindara dealer.

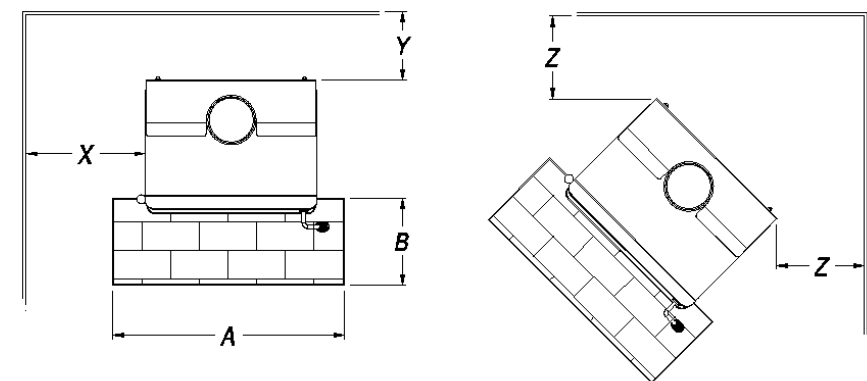
<sup>1</sup> For further details, refer to the section on 'Door Handle Adjustment' on Pg 14.

## STANDARD MODELS



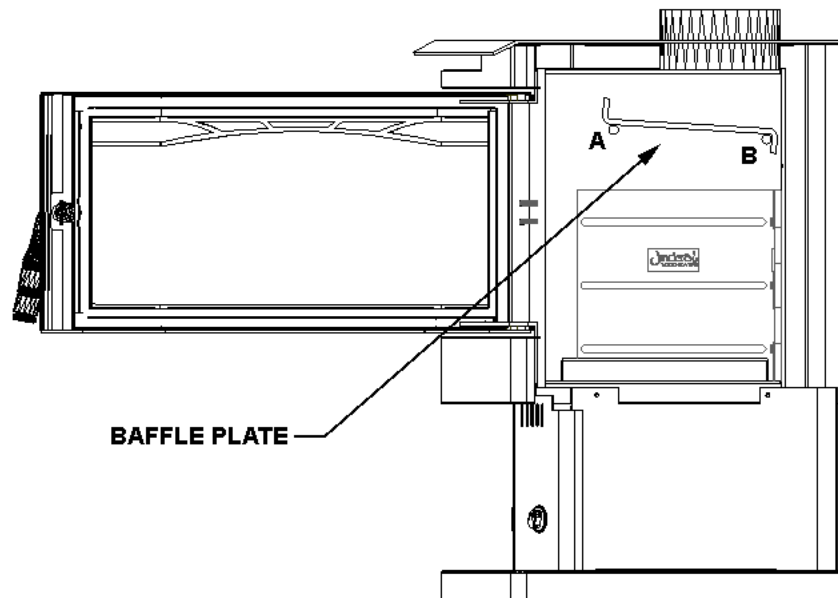
	<b>X</b>	<b>Y</b>	<b>Z</b>	<b>A</b>	<b>B</b>
<b>HAMMERSLEY</b>	325	150	100	1020	500
<b>KIMBERLEY</b>	300	125	100	950	400
<b>PILBARA</b>	300	150	100	830	400

## RADIANT MODELS



	<b>X</b>	<b>Y</b>	<b>Z</b>	<b>A</b>	<b>B</b>
<b>SIMPSON</b>	800	250	600	900	500

## BAFFLE PLATE LOCATION ALL MODELS



1. The baffle plate will need to be removed for the cleaning of your flue system.
2. Ensure the fire is completely out before proceeding.
3. Remove firebricks and cast iron liners from your firebox.
4. Lift baffle from locating pins at rear of firebox and lower back of baffle to the base of the firebox.
5. When the baffle has cleared the front locating pins lower front of baffle and remove through door.
6. After cleaning flue system simply reverse the procedure to replace your baffle before relighting the fire.
7. Do not light the fire while the baffle is removed as this could cause a serious house fire.

## CAST IRON LINERS

The rear cast iron plate to be positioned to rear with rib and logo facing into firebox. Side cast plates to be positioned on appropriate side and interlocked into rear cast plate. Fire bricks can then be installed.

NOTE: Cast Liners not fitted to Radiant models.

## FIRE BRICKS

Fire bricks must be sitting flat on bottom of fire box, covering fire box base.

The firebricks keep heat away from the fan.

## CONTROLS

### AIR SLIDE

Moving air slide laterally to the left enables maximum air into the fire box. Moving air slide laterally to the right closes off air into the firebox which slows the burn down.

### FAN SWITCH \*

3 Speed, 4 Position, rotary. Off, Low, Medium, High.

\* Not included on Jindara Simpson radiant heaters (i.e. without fan).

## LIGHTING YOUR FIRE

- Step One** Place several pieces of crumpled newspaper and fire lighters on fire box floor.
- Step Two** Cover with small diameter, well seasoned split kindling over the paper (preferably softwood).
- Step Three** Place 3 or 4 small pieces of firewood on top of the kindling.
- Step Four** Open air slide fully.
- Step Five** Light the newspaper in several places.
- Step Six** Close the door to prevent smoke spillage. Do not latch close, this allows extra air into firebox and helps create a draft.

AFTER APPROXIMATELY 10 MINUTES

- Step Seven** Once a draft has started and firewood is fully ignited.  
CLOSE DOOR FULLY.

## BREAK IN PERIOD

Build your first few fires small with the fan on high to allow the high temperature paint to cure.

NOTE: From the first few fires an odour from the high temperature paint may occur. Ensure adequate ventilation is supplied to allow dissipation of any smoke and odour.

**THIS IS NORMAL**

## INSTALLATION OF PEDESTAL MODELS

Jindara pedestal heaters should be installed by a licensed accredited installer. Please refer to your retailer to locate an installer.

The Jindara Simpson model is a radiant wood heater and it is important that it be installed strictly to the specifications included.

## INSTALLATION OF INSERT MODELS

The Jindara Insert models must be installed in accordance with the relevant sections of Australian Standard AS 2918 – 1990.

The Jindara Insert Models must be installed in a masonry fireplace with a flue system that is in accordance with the relevant sections of AS 2918 – 1990.

## MANTLEPIECE

No heat sensitive material may be placed closer than 300mm to the sides and 450mm above the hot air outlet, without adequate heat shielding in terms on clause 3.4.2 AS 2918 –1990.

## HEARTH

Refer to AS 2918 – 1990 Clauses 2.2, 3.3.1, and 3.3.2 as there are variations to the construction of hearths.

